



EC-410

Cash Drawer

QubePos EC410 Cash Drawer has a solid steel construction and is perfect for any point-of-sale environment. It is connected primarily to the Bluetooth Receipt Printer via the Ethernet or USB, and is triggered to open automatically at each cash sale.

EC-410

Cash Drawer



Features

- Metal Cash Drawer with Heavy-Duty Ball Bearing Rollers
- Removable Money Tray and Coin Case
- It contains 5 Noteholders, 8-coin Slots and 2 Media Slots
- 3-position Key Lock ensures Maximum Security
- Durability: 1,000,000 Operations
- Suitable for any Retail and Restaurant Environment



Specifications

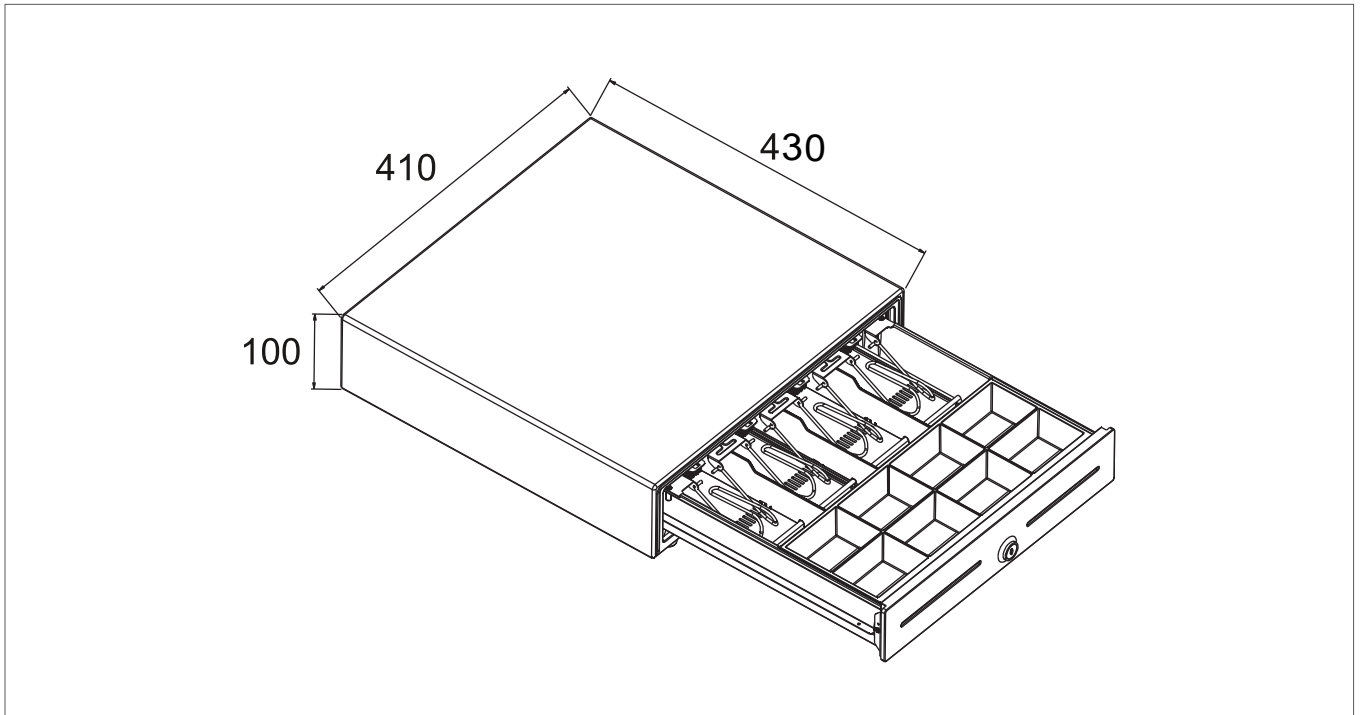
Specsheet

Physical	Dimension	410 W x 430 D x 100 H (mm, without Feet) 16.1"W x 16.9"D x 3.9"H (inch, without Feet)
	Drawer	Metal cash drawer
	Casing	Steel construction
	Front Panel	Steel construction with painted front or stainless steel front
Coin Tray	Bill Tray	5 bill compartments
	Coin Tray	Removable tray from the money case Solo-row tray adjustable dividers for 5 compartments Double-row tray with adjustable dividers for 8 up compartments
	Media Slots	Front access slot for check, credit card receipt or any paper
Operation	Lockable Lid	Lockable Lid for the cash receiver to change tray (option)
	Lock	3-position Key Lock
	Micro Switch / Sensor	Open by driver signal to the solenoid (optional)
	I/O Interface	12V, 24V for RJ11 / RJ12 Receipt Printer Interface 9-Pin RS-232 Interface (optional) USB Interface (optional)
	Durability	1,000, 000 operations
Packing Details	Packaging	465 W x 460 D x 150 H (mm) 18.3"W x 18.1"D x 5.9"H (inch)
	Net Weight	6.7kg
	Gross Weight	7.4kg

* Specification may change without prior notice

QubePos®

Dimensions (mm)



Details



Removable Till & Coin Case



Adjustable Bill & Coin Divider



Two Media Slots



Optional Item: Lockable Lid



1-100 Sets Different Code Key Lock



Heavy Duty Ball Bearing Rollers,
Enhance Durability



QUBE APPS SOLUTIONS SDN. BHD. (981542-A)

No. 2-32A1, Jalan Desa 1/1, Desa Aman Puri,
52100 Kuala Lumpur, Wilayah Persekutuan

Office No. : +603-62625182

Mobile No. : +6010-8825182

Website : qubeapps.com

