

# A11 Fast. Reliable. Compatible.



## Features

- 2" or 3" Direct Thermal POS Printer with Auto Cutter
- Fast Printing Speed of 250mm/s
- Advanced Reliability for Large Volume Printing
- USB+Serial+Ethernet Interface
- Optional WiFi, Bluetooth Interface
- mPOS friendly. Compatible with Android and iOS
- Drop-in Paper Loading

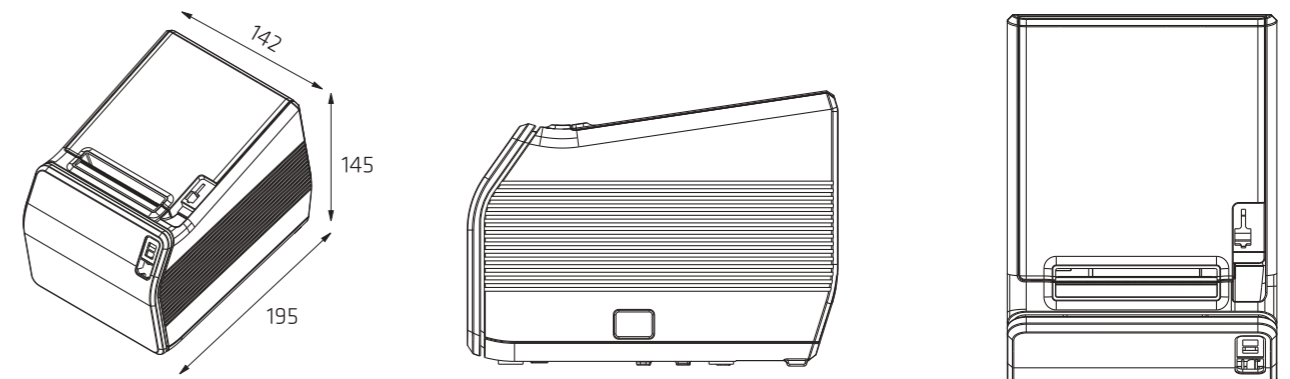
The A11 is the latest addition to POSBANK's POS printer family A series. The printing speed of 250mm/s makes it deal for crowded checkout areas and advanced reliability for large volume printing in retail and hospitality segments. For enhanced customer experiences, the A11 is compatible with leading mobile operating systems including Android and iOS.

## Specifications

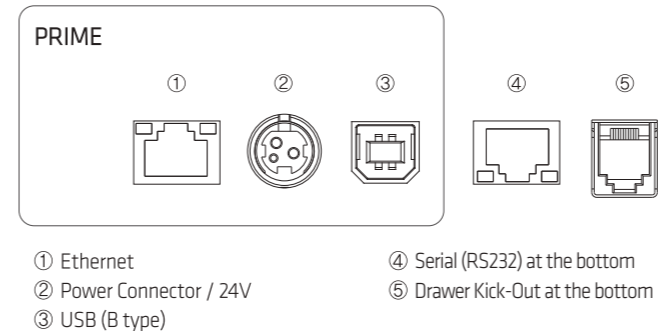
Print	Print Method	Direct Thermal
	Print Speed	250mm/s
	Print Resolution	180 dpi (7dots/mm)
	Print Width	54mm, 74mm
Print Font	Character Size	Font A 12 x 24 dots, Font B 9 x 17 dots, Font C 9 x 24 dots
	Character per Line	Font A 42, Font B 56, Font C 56
	Character Sets	Alphanumeric : 95 Extended Graphics : 128 x 37 Page International : 32
	Barcode Types	1D : Coda Bar, Code39, Code93, Code128, EAN-8, EAN-13, ITF, UPC-A, UPC-E 2D : PDF417, QR Code
Media	Graphics	Supporting User-defined Fonts, Graphics, Formats, Logos
	Type	Thermal Roll Paper
	Paper Feed	Friction Feed
	Loading	Drop in
Reliability	Width	58mm, 80mm
	Roll Diameter	Max. 83mm
	Thickness	62~75µm
	Auto Cutter	Full or Partial Selectable
General	Partition	2 inch (58mm)
	MCBF	60million Lines
	TPH	150km
	Auto Cutter	1.5million Cuts
General	Interface	Built-in USB + Serial(RJ-45) + Ethernet, WiFi, Bluetooth (Optional, Gender Type)
	Support Mobile Operating Systems	Android, iOS (SDK)
	Receive Buffer	4kb
	Printer Driver	Windows Driver, OPOS Driver, JPOS Driver, Linux CUPS Driver, Mac Driver, Virtual COM USB/Ethernet Driver, Utility Program
	Utility	Unified POS Utility (VMGM.NV)
	Sensors	Paper End, Cover Open, Black Mark, Partition
	Drawer	2 Port (via Y-Type Adaptor)
	Power Supply	24V, 2.5A
	Temperature & Humidity	Operating : 0 ~ 45°C, 10 ~ 80% RH (No condensations) Storage : -20 ~ 60°C, 10 ~ 90% RH (No condensations)
	Safety Standards	CE, FCC
	Dimensions(W x H x D)	142 x 145 x 195 (mm), 5.6 x 5.7 x 7.7 (in)
	Weight	1,600g, 3.5lbs
	Color	Black, White
	Options	Ethernet, Bluetooth, WiFi (Interface Card Type)
Eco	WEEE, RoHS, Reach SVHC, Energy Star®	
Warranty	3 Years (TPH, Cutter 2 Years)	
What's in the Box	A11, Power Supply (Adapter, Power Cord), USB+ Serial Cable, Paper Roll (30Ø), Partition, Installation CD, Installation Guide	

## Dimensions

Unit : mm



## I/O Interfaces



## Ordering Information

Part No.	Description
A11P (B-Country)	Direct Thermal POS Printer, USB+Serial+Ethernet Interface, Black
A11_IFJ-BiK TYPE	Bluetooth Module
A11_IFJ-WK TYPE	WiFi Module



**QUBE APPS SOLUTIONS SDN. BHD.** (981542-A)  
No.2-32A1, Jalan Desa 1/1, Desa Aman Puri, Kepong,  
52100 Kuala Lumpur, Malaysia.  
Tel : +603-6262 5182  
Fax : +603-6272 5162  
Website : qubeapps.com

